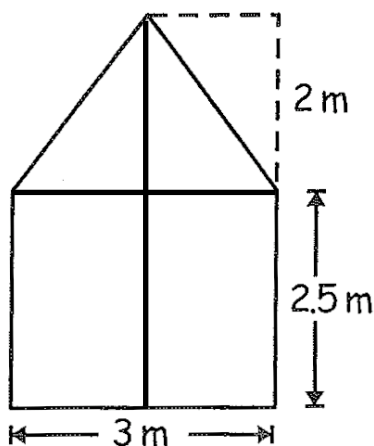


Name: _____

The Paint Problem

Area Mini Task

Mr Harvey wants to paint the side of his house, shown below.



He has decided to paint one layer in white undercoat and two layers of the colour Farmhouse Green.

- ☆ Harry's Hardware sells Farmhouse Green for \$43 for a 4 L tin and 1 L tins of undercoat for \$10 each.
- ☆ Paulie's Paints has 2 L of Farmhouse Green for \$25. They sell white undercoat for \$18 for 2 L.

One litre of paint or undercoat will cover 4 m^2 of wall.

Mrs Harvey wants her husband to work out if it's cheaper to get the paint and undercoat from Harry's Hardware or Paulie's Paint (it's best to get everything from the same shop).

Unfortunately, Mr Harvey is not very good at maths! Can you help him decide which is the best deal?

You can use these questions to help ...

What is the total area of the front of the house? _____

What is the area that will be in white undercoat? _____

What is the area that will be in Farmhouse Green? _____

How many tins, of each type of paint, will he have to buy from each shop?
Remember that he cannot buy half a tin, so he may have some paint left over.

What is the cost from each shop? _____